

# ATEX MULTI-TONE ACOUSTIC SIRENS

## AE/IS-SI312A, AE/IS-SI312B

### Description

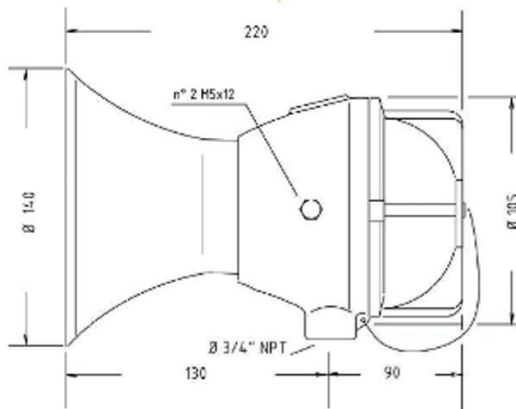
ATEX acoustic sirens recommended for applications with low or medium ambient noise level. Certified for installation in ATEX areas 1, 21 and 2, 22.

Provided with 32 selectable tones.

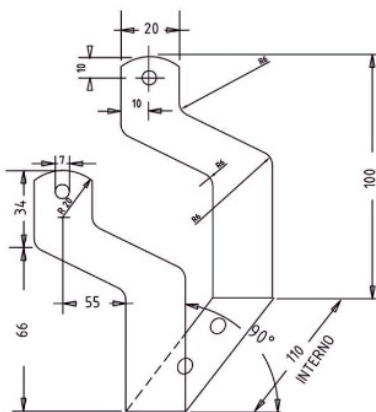
- Aluminum body and copper-free cover
- AISI 304 screws
- Ø 3/4 "ISO 7/1" inlet
- Degree of protection explosion proof:
  - II 2GD Ex d IIC T6 Gb
  - II 2GD Ex tb IIIC T85 °C Db
- Degree of Protection: IP65



### Dimensions



### Mounting accessory



### TECHNICAL CHARACTERISTICS

#### AE/IS-SI312A

Power supply:	230 Vac 50/60 Hz
Power:	4w
Sound level:	106 dB
Acoustic frequency:	340 ÷ 2000Hz
Service	Continuous
Weight:	1,5 Kg
Operating temperature:	-20°C ÷ + 55°C

#### AE/IS-SI312B

Power supply:	12 ÷ 24 Vac / Vdc
Power:	4w
Sound level:	102 dB
Acoustic frequency:	340 ÷ 2000Hz
Service:	Continuous
Weight:	1,5 Kg
Operating temperature:	-20°C ÷ + 55°C